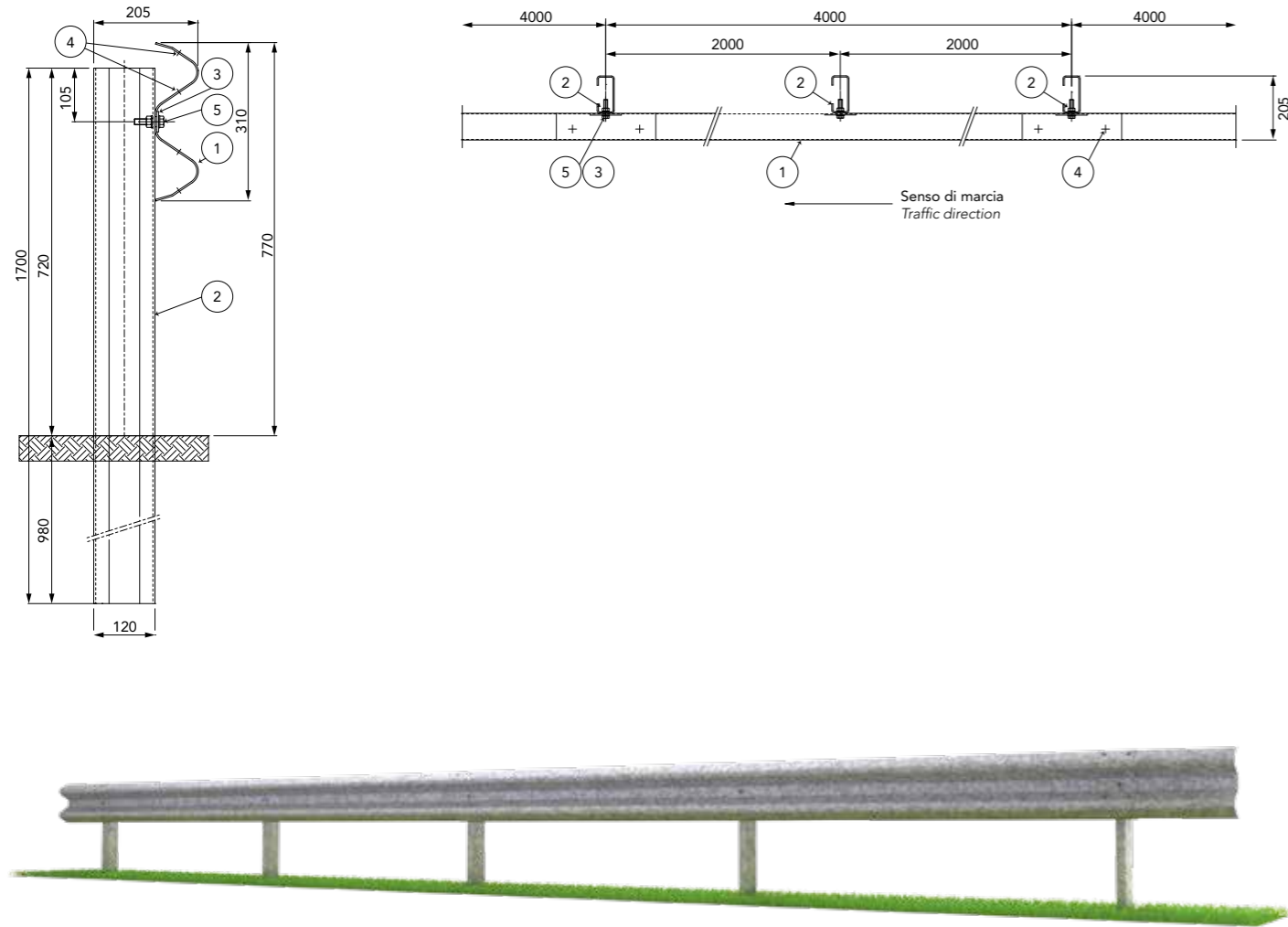


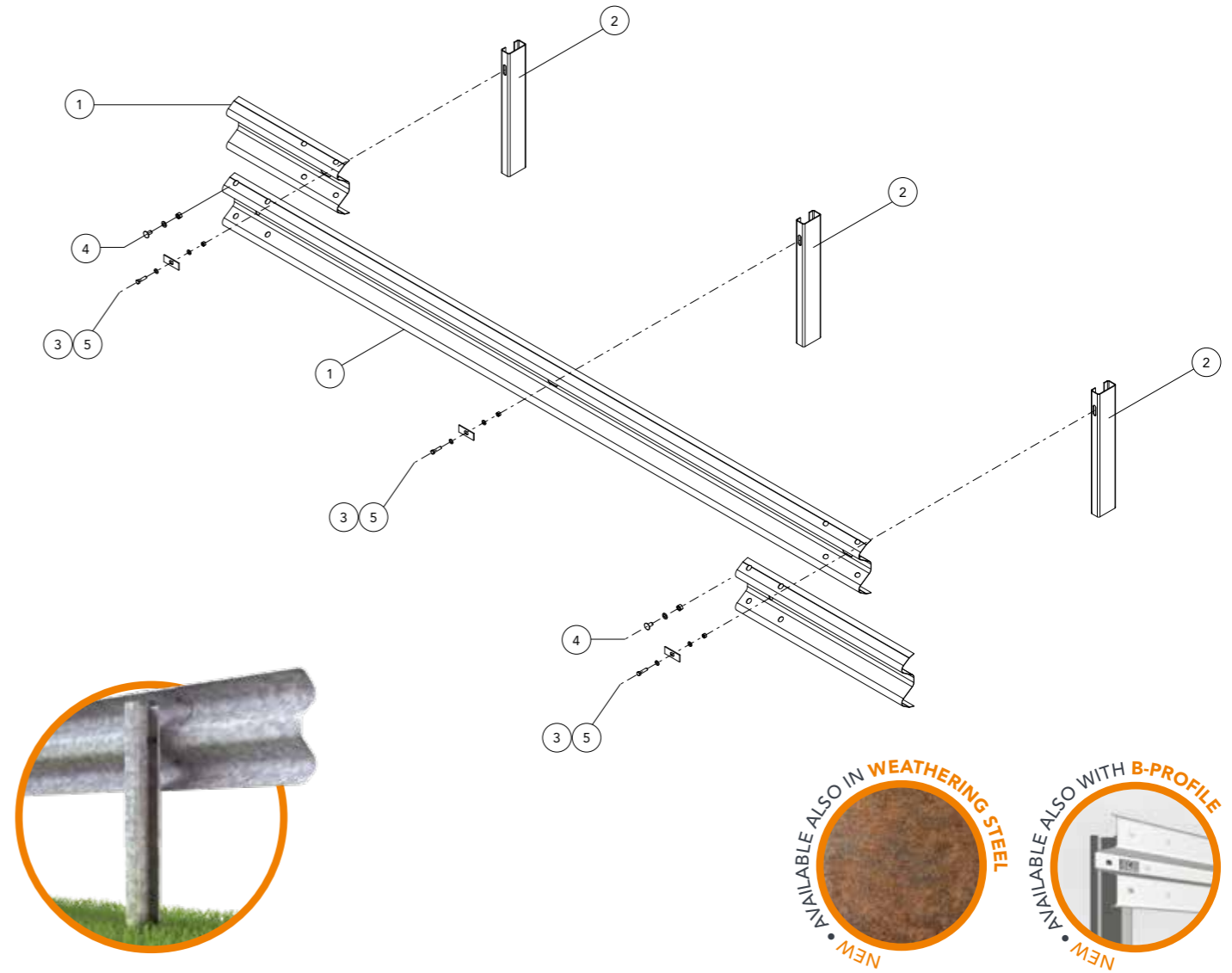
CLASSE H1 BORDO LATERALE - BARRIERA 2 ONDE SINGOLA SU RILEVATO W3

Class H1 Roadside - 2-waves single sided guardrail W3
 Gerammte Doppelwellen-Leitplanke Aufhaltestufe H1, Wirkungsbereich W3
 Classe H1 Bord latéral - Glissière 2 ondes simple sur remblai W3
 Clase H1 Borde lateral - Barrera de doble onda simple sobre base terreno W3



H1-W3

2-waves



Caratteristiche Characteristics, Eigenschaften, Caractéristiques, Características	
Altezza fuori terra Height above ground level, Höhe über Grundboden, Hauteur hors sol, Altura sobre el suelo	770 mm
Profondità d'infissione Depth of penetration, Rammtiefe, Profondeur de piling du poteau, Longitud hincada	980 mm
Ingombro trasversale Overall width, Gesamtbreite, Grosseur hors tout, Anchura total	205 mm
Interasse pali Post spacing, Steherabstand, Distance entre poteaux, Distancia entre postes	2000 mm

Rapporti di prova Crash test reports, Testberichte, Comptes rendus d'essais, Relaciones de pruebas											
Test n.	Facility	Test	Type	Barrier length m	Mass kg	Speed km/h	ASI max 1.4	THIV max 33 km/h	D m	Vi m	W m
PROVA 939	Aisico	TB42	Laterale 15°	68	10.000	70	-	-	0,8	1,3	1=W3
PROVA 941	Aisico	TB11	Laterale 20°	68	900	100	0,8=A	27	0,7	-	0,8=W2

Componenti Components, Bauteile, Composants, Elementos			
Descrizione - barriera in acciaio zincato Description - galvanized steel barrier			Materiale Material
5	Bullone completo Bolt with nut and washer, Schraube komplett, Boulon complet, Tornillo completo con tuerca y arandela	M12x50 mm	Classe 8.8
4		M16x30 mm	Classe 8.8
3	Piastrina copriasola Slot covering plate, Lochabdeckplatte, Plaque de couverture fente, Placa cubre-ranura	100x40x4 mm	S 275 JR
2	Palo "C" C-post, C-Steher, Poteau en C, Poste "C"	120x55x30 Th=4 H=1700mm	S 275 JR
1	Fascia 2 onde 2-waves beam, 2-wellige Leitschiene, Glissière 2 ondes, Banda doble onda	L=4316 Th=2 mm	S 355 JR
Descrizione - barriera in acciaio corten Description - corten steel barrier			Materiale Material
5	Bullone completo + 2 rondelle Bolt with nut and washer + 2 washers, Schraube komplett + 2 scheibe, Boulon complet + 2 rondelle, Tornillo completo con tuerca y arandela + 2 arandelas	M12x50 mm	Tropicaliz.
4		M16x30 mm	Tropicaliz.
3	Piastrina copriasola Slot covering plate, Lochabdeckplatte, Plaque de couverture fente, Placa cubre-ranura	100x40x4 mm	S 355 JOWP
2	Palo "C" C-post, C-Steher, Poteau en C, Poste "C"	120x55x30 Th=4 H=1700mm	S 355 JOWP
1	Fascia 2 onde 2-waves beam, 2-wellige Leitschiene, Glissière 2 ondes, Banda doble onda	L=4316 Th=2 mm	S 355 JOWP